

VISION-3 LIGHTING

MR16 Remote Sealed Ingrade **MODEL IG4** 12V 42W Max., MR16 Halogen 12V 8W Max., COB LED w/ Driver

Specifications

Housing

Cast C84400 bronze housing. Optional concrete pour collar available in material and finish to match the faceplate.

Lens

Tempered, 1/4" thick, stepped lens allows for flush mounting. Optional Slip Reduction Lens increases wet lens friction by over 50%. Molded, high temperature, silicone lens gasket compresses around lens between faceplate and housing for a water tight seal. Both lens and seal are removable for cleaning or replacement.

Faceplate

Available in cast or machined C84400 bronze or machined 316 stainless steel. Attaches using six 18-8 stainless steel captive screws. Optional Glare Shield, Half Dome, Marker Light, and Rock Guard faceplates available in cast C84400 bronze and allow 360° of rotational alignment. Optional Flanged faceplate available, in machined brass or 316 stainless steel, for core drill applications.

Lamp Module & Aiming

MR16 Halogen: Standard Aiming Lamp Module allows for 22° vertical and 360° horizontal aiming. Joystick Aiming Lamp Module allows for one tool 'hot aiming' with 18° vertical and 360° horizontal adjustment without having to touch hot brackets or lamp. Optional accessory holder accepts up to two lens options.

Retrofit & COB LED: LED Lamp Module uses black anodized aluminum bracketry to ensure maximum heat transfer away from the LED to ensure long life while allowing for one tool 'hot aiming' with 18° vertical and 360° horizontal adjustment without having to touch hot brackets or LED. Integral accessory holder accepts up to two lens options.

Finish

Available in 14 standard TGIC thermo set polyester powder coat paint colors. Cast Bronze faceplates available in two additional finishes: Natural and Aged. Machined Brass faceplates available in three additional finishes: Natural, Aged, and Polished. Machined Stainless steel faceplates available in three additional finishes: Natural, Brushed, and Polished. Optional pour collar finished to match faceplate.

Wire Entry

PVDF liquid tight strain relief fitting, silicon O-ring body seal and Viton form seal. 14-2 direct burial cable is spliced to two 600V, 250°C, PTFE coated 18 ga leads. Potting creates an anti-siphon barrier. Snap plug connectors used for connecting power to lamp leads on the aiming module.

Socket

GY-6.35 porcelain socket with 600V, 250°C, PTFE coated 18 ga leads (for MR16 Halogen and Retrofit MR16 LED options).

Light Engine

COB LED w/ Integral Driver: 13.5mm COB LED and integral low voltage driver allows for choice of light output (400lm, 700lm, or 1000lm), color temperature (2700K, 3000K, 3500K, 4000K), CRI (80, 90), and optics (15°, 24°, 36°, 55°, 65°). Integral LED driver features include: 12VAC input (+/- 10%), ELV and MLV phase dimming (contact V3 for dimmer compatibility), high power factor > 0.9, internal protection (short circuit, overload, thermal, auto-reset), and an L70 > 40,000 hrs. COB LED and driver components are field replaceable and upgradeable to simplify future repairs and upgrades.

MR16 Halogen: 12V bi-pin up to 42W (see **Certification** heading for limitations). Lamp supplied by others.

Retrofit MR16 LED: 12V 7.5W (600lm) bi-pin retrofit Soraa™ MR16 LED lamp with specially engineered heat sink mount to ensure proper heat transfer to body. Note: Retrofit LED will overheat without supplied heat sink mount.

Certification

IP68 rated to a depth of 3 ft. for 48 hours. Drive over durable for up to 5300 lb vehicles, at up to 10 mph ('BE' or 'BE-PC' housings and 'STD', 'ML1', 'ML2', or 'ML4' faceplates only. Other housing and faceplate options are not suitable for drive

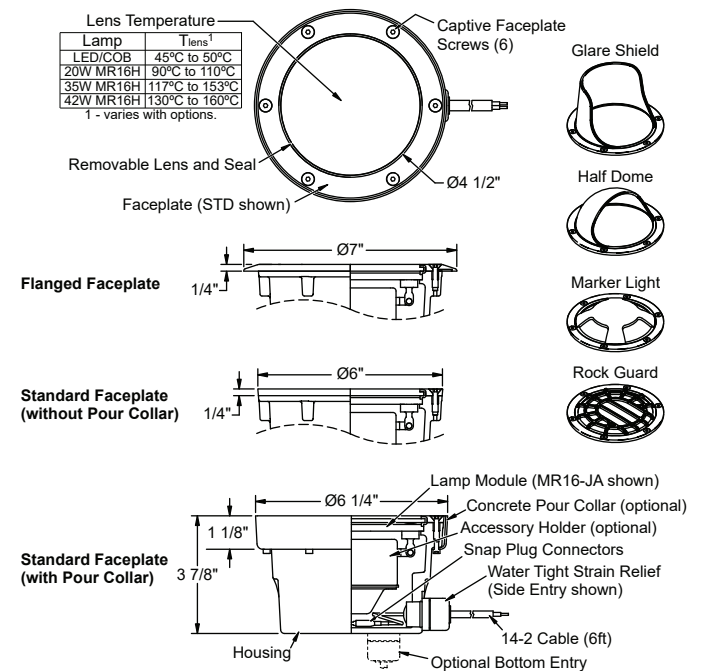
over applications). CSA tested & certified to US and Canadian safety standards for the following application(s):

Wet location landscape use (UL1838):

IG4 - LED or 42W Max. MR16 Halogen lamp.

Only one lens option can be used with 37W & 42W lamps. 42W lamps can not be used with a color filter. IG4 is not rated for use in Canada with halogen lamp options.

All ratings subject to change without notice. See website or contact V3 for most current info.



Ordering Information

Model	Housing Style	Lens Style	Lamp Module	Light Engine	Lens Accy ^{2,3}	Louver ^{2,3}	Accessories																								
IG4C - Cast Bronze Faceplate IG4B - Machined Brass Faceplate IG4S - Machined Stainless Faceplate	Without Pour Collar: SE - Side Entry ⁴ BE - Bottom Entry With Pour Collar: SE-PC - Side Entry ⁴ BE-PC - Bottom Entry ⁴	STD - Standard SLR - Slip Reduction	MR16 Halogen: MR16-STD - Standard Aiming MR16-JA - Joystick Aiming LED/COB: LED-JA - Joystick Aiming	COB w/ Integral Driver: ⁵ LE2 - XXXX - X - XX - XX <table border="1"> <thead> <tr> <th>Lumen Output</th> <th>CRI</th> <th>CCT</th> <th>Optics</th> </tr> </thead> <tbody> <tr> <td>0400 - 4W, 400lm</td> <td>8 >80</td> <td>27 - 2700K</td> <td>15 - 15°</td> </tr> <tr> <td>0700 - 8W, 700lm</td> <td>9 >90</td> <td>30 - 3000K</td> <td>24 - 24°</td> </tr> <tr> <td>1000 - 8W, 1000lm</td> <td></td> <td>35 - 3500K</td> <td>36 - 36°</td> </tr> <tr> <td></td> <td></td> <td>40 - 4000K</td> <td>55 - 55°</td> </tr> <tr> <td></td> <td></td> <td></td> <td>65 - 65°</td> </tr> </tbody> </table> MR16 Halogen: 0 - None (lamp by others) Retrofit MR16 LED (3000K, 90 CRI): ^{5,6} 155 - 7.5W, 10° 156 - 7.5W, 25° 157 - 7.5W, 36°	Lumen Output	CRI	CCT	Optics	0400 - 4W, 400lm	8 >80	27 - 2700K	15 - 15°	0700 - 8W, 700lm	9 >90	30 - 3000K	24 - 24°	1000 - 8W, 1000lm		35 - 3500K	36 - 36°			40 - 4000K	55 - 55°				65 - 65°	0 - None L1 - Spread L2 - Linear L3 - Softening	0 - None H1 - Hex	0 - None AH - Accessory Holder ³
Lumen Output	CRI	CCT	Optics																												
0400 - 4W, 400lm	8 >80	27 - 2700K	15 - 15°																												
0700 - 8W, 700lm	9 >90	30 - 3000K	24 - 24°																												
1000 - 8W, 1000lm		35 - 3500K	36 - 36°																												
		40 - 4000K	55 - 55°																												
			65 - 65°																												

Finish¹

Powder Coat Finishes:

BLT - Textured Black	BL - Black
BNT - Textured Bronze	BN - Bronze
BAT - Textured Bark	WI - White
GRT - Textured Green	SI - Silver
GNT - Textured Granite	GY - Grey
SAT - Textured Sand	BE - Beige
PAT - Textured Patina	
EAT - Textured Earth	

Metal Finishes:

NAT - Natural
POL - Polished (IG4B & IG4S only)
AGE - Aged (IG4C & IG4B only)
BRU - Brushed (IG4S only)

Faceplate Style

STD - Standard
FL - Flanged (IG4B & IG4S only) ⁴
GS - Glare Shield (IG4C only)
HD - Half Dome (IG4C only)
RG - Rock Guard (IG4C only)
ML1 - Marker Light, 1 port (IG4C only)
ML2 - Marker Light, 2 ports@180° (IG4C only)
ML4 - Marker Light, 4 ports@90° (IG4C only)

Notes:

- Finish applies to faceplate and pour collar. Housing will be natural bronze finish.
- Up to two lens options may be specified (see **Certification** heading above for limitations).
- Accessory Holder option (AH) must be specified to use lens options with MR16-STD & MR16-JA lamp modules. Not required with LED-JA lamp module.
- Flanged (FL) faceplate can not be used with the Pour Collar options, and should not be used with the Side Entry housing for core drill applications.
- Only power LED/COB lamp options with approved transformers (contact V3 for transformer and dimmer compatibility info).
- Use only approved Retrofit MR16 LED lamps and supplied heat sink mount, otherwise LED may overheat.
- Specifications, certifications, and ordering information are subject to change. Please check website for latest specification sheets.

Example: **IG4C - AGE - SE-PC - STD - LED-JA - LE2-0700-8-27-24 - L1 - 0 - 0**